

15", 17", 19" Front IP65 Full Steel Chassis Touch Monitor



Features

- Fanless and rugged design
- Resolution 1024 x 768 / 1280 x 1024 dpi
- Full steel chassis design
- Front IP65 waterproof solution
- 5 Wires Resistive touch solution
- VESA mount



Specifications

Model No.	MM150RS03	MM150RS04	MM170RS03	MM170RS04	MM190RS03	MM190RS04
DISPLAY						
Size	15" TFT (4:3)		17" TFT (4:3)		19" TFT (4:3)	
Resolution	1024 x 768		1280 x 1024		1280 x 1024	
Colors	16.2M		16.2M		16.7M	
Luminance	300 cd/m2		350 cd/m2		250 cd/m2	
Contrast Ratio	2000:1		1000:1		1000:1	
View Angle (H/V)	176°/176°		170°/160°		170°/160°	
HIGH BRIGHTNESS (OPTIONAL)						
Resolution	1024 x 768		1280 x 1024		1280 x 1024	
Colors	16.2M		16.7M		16.7M	
Luminance	1000 cd/m2		1000 cd/m2		1000 cd/m2	
Contrast Ratio	2000 : 1		1000 : 1		1000 : 1	
Viewing Angle (H/V)	176°/176°		170°/165°		170°/160°	
I/O PORTS						
VGA	V	V	V	V	V	V
DVI	V		V		V	
HDMI		V		V		V
DP		V		V		V
USB (for touch screen)	V	V	V	V	V	V
POWER REQUIREMENT						
Power Requirement	DC in 12V (60W)					
TOUCH SCREEN						
Touch Screen	5 Wires Resistive (one touch)					
OS SUPPORT						
OS support	Win Pro 10 / Embedded Win 7, 8, 10					
MECHANICAL & ENVIRONMENTAL						
Operation Temp.	0 ~ 45°C					
Storage Humidity	10 ~ 90%, non-condensing					
Mounting	VESA mount (100X100mm)					
Dimension (WxHxD)	410 x 306 x 71 mm		407 x 338 x 71 mm		444 x 363 x 71 mm	
Weight	TBD		TBD		TBD	
OPTIONAL						
P/N: 302A17005A	1600 cd/m2 15" LCD panel 1024 x 768					
P/N: 302A17005B	1600 cd/m2 17" LCD panel 1280 x 1024					
P/N: 302A190091	1600 cd/m2 19" LCD panel 1280 x 1024					
P/N: 2320000001	Optical Bonding					
P/N: 3080108001	HMDI 2M cable					
P/N: 3080109001	DP 2M cable					
P/N: 3120600002	RS232 touch screen					
P/N: 309M106004	DC in 9V ~ 36V					

ORDERING INFORMATION

STANDARD

MM150RS03	15" full steel chassis display, 5W resistive, 1 x VGA , 1 x DVI, 1 x USB, 1 x 1.8M VGA cable, 1 x 1.8M USB cable, DC in power adapter
MM150RS04	15" full steel chassis display, 5W resistive, 1 x VGA , 1 x DP, 1 x HDMI, 1 x 1.8M VGA cable, 1 x 1.8M USB cable, DC in power adapter
MM170RS03	17" full steel chassis display, 5W resistive, 1 x VGA , 1 x DVI, 1 x USB, 1 x 1.8M VGA cable, 1 x 1.8M USB cable, DC in power adapter
MM170RS04	17" full steel chassis display, 5W resistive, 1 x VGA , 1 x DP, 1 x HDMI, 1 x 1.8M VGA cable, 1 x 1.8M USB cable, DC in power adapter
MM190RS03	19" full steel chassis display, 5W resistive, 1 x VGA , 1 x DVI, 1 x USB, 1 x 1.8M VGA cable, 1 x 1.8M USB cable, DC in power adapter
MM190RS04	19" full steel chassis display, 5W resistive, 1 x VGA , 1 x DP, 1 x HDMI, 1 x 1.8M VGA cable, 1 x 1.8M USB cable, DC in power adapter

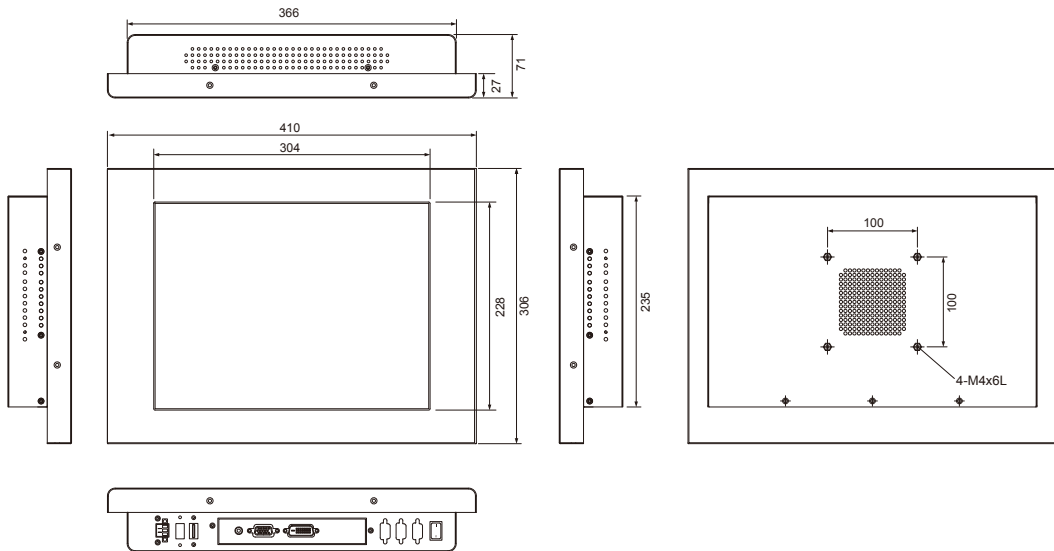
HIGH BRIGHTNESS

MM150RJ03	15" full steel chassis display, 5W resistive, 1 x VGA , 1 x DVI, 1 x USB, 1 x 1.8M VGA cable, 1 x 1.8M USB cable, DC in power adapter, 1000 cd/m ²
MM150RJ04	15" full steel chassis display, 5W resistive, 1 x VGA , 1 x DP, 1 x HDMI, 1 x 1.8M VGA cable, 1 x 1.8M USB cable, DC in power adapter, 1000 cd/m ²
MM170RJ03	17" full steel chassis display, 5W resistive, 1 x VGA , 1 x DVI, 1 x USB, 1 x 1.8M VGA cable, 1 x 1.8M USB cable, DC in power adapter, 1000 cd/m ²
MM170RJ04	17" full steel chassis display, 5W resistive, 1 x VGA , 1 x DP, 1 x HDMI, 1 x 1.8M VGA cable, 1 x 1.8M USB cable, DC in power adapter, 1000 cd/m ²
MM190RJ03	19" full steel chassis display, 5W resistive, 1 x VGA , 1 x DVI, 1 x USB, 1 x 1.8M VGA cable, 1 x 1.8M USB cable, DC in power adapter, 1000 cd/m ²
MM190RJ04	19" full steel chassis display, 5W resistive, 1 x VGA , 1 x DP, 1 x HDMI, 1 x 1.8M VGA cable, 1 x 1.8M USB cable, DC in power adapter, 1000 cd/m ²

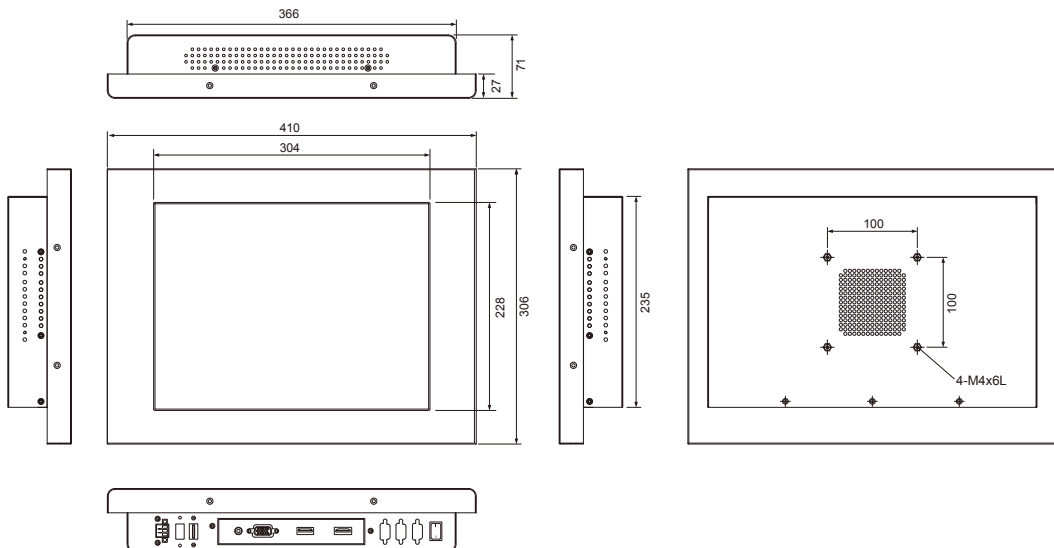
Dimensions

Unit : mm

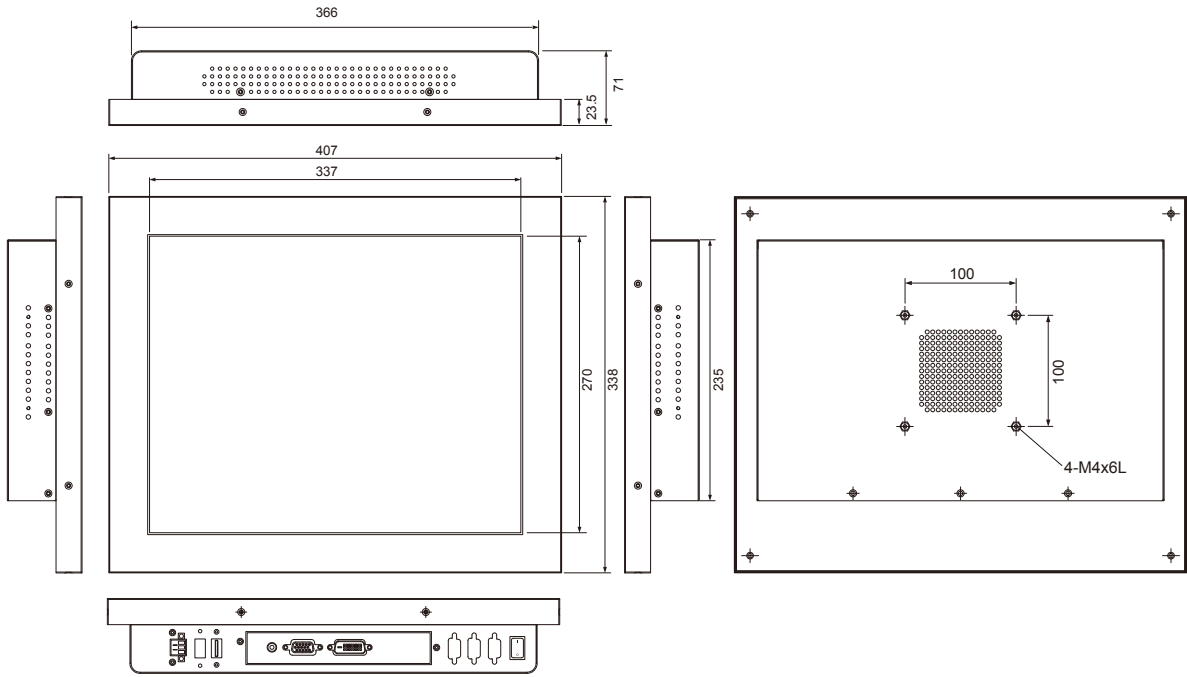
MM150RS03



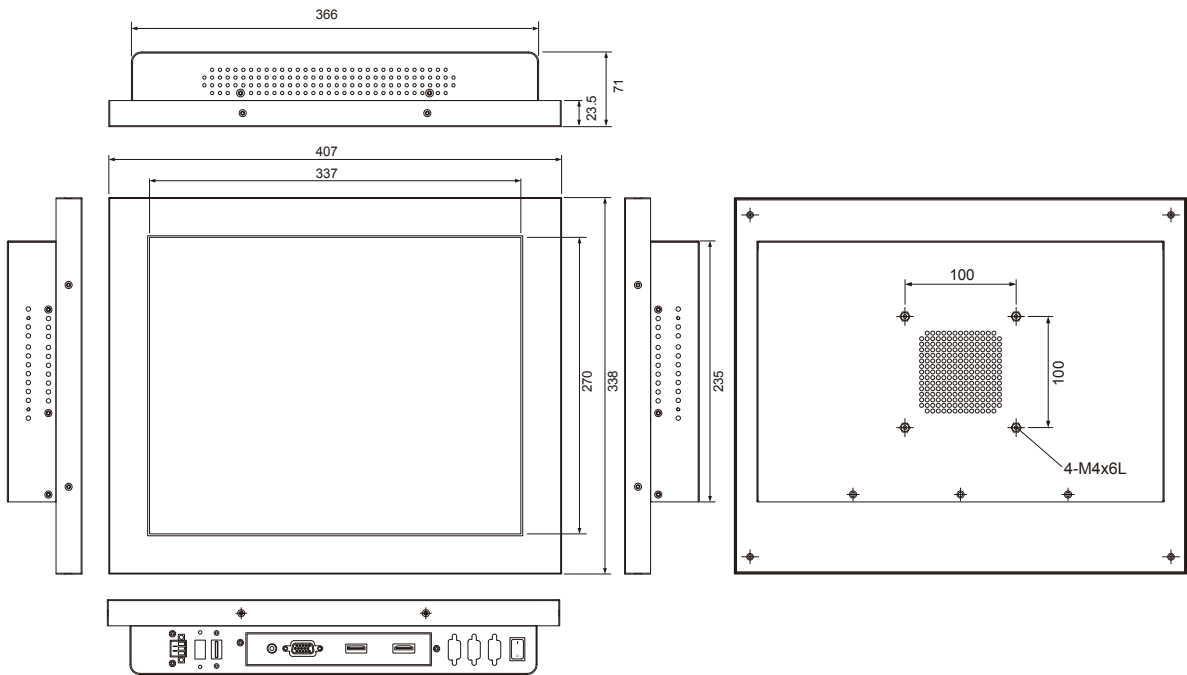
MM150RS04



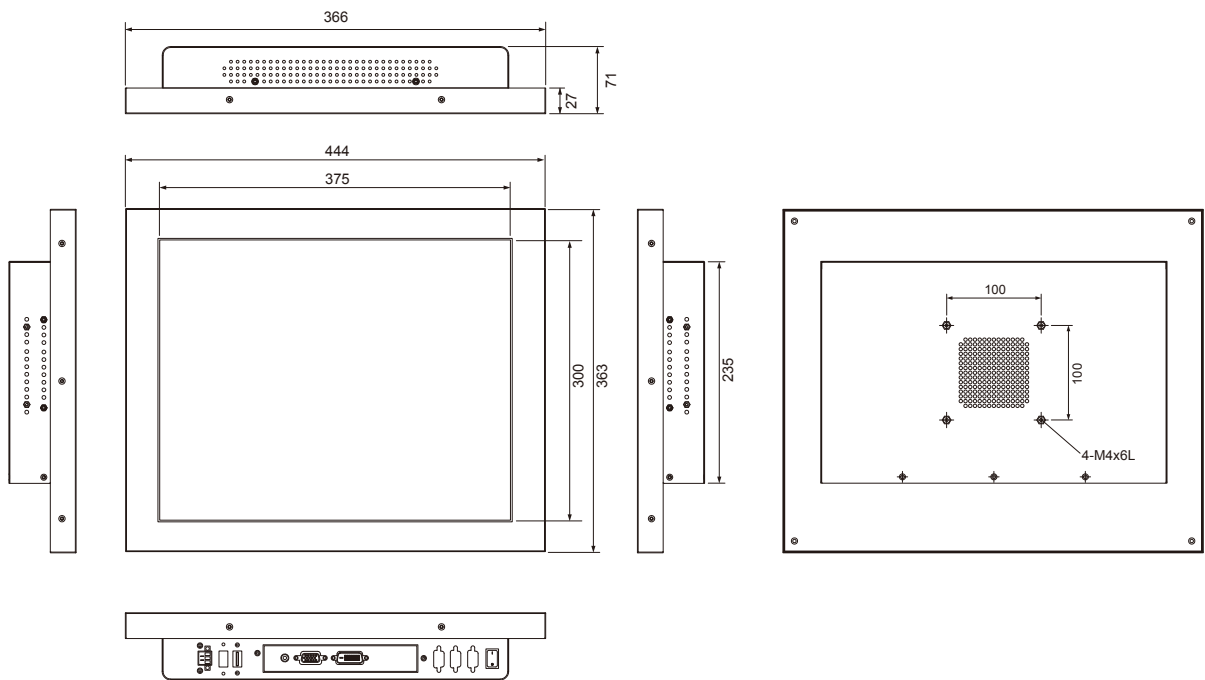
MM170RS03



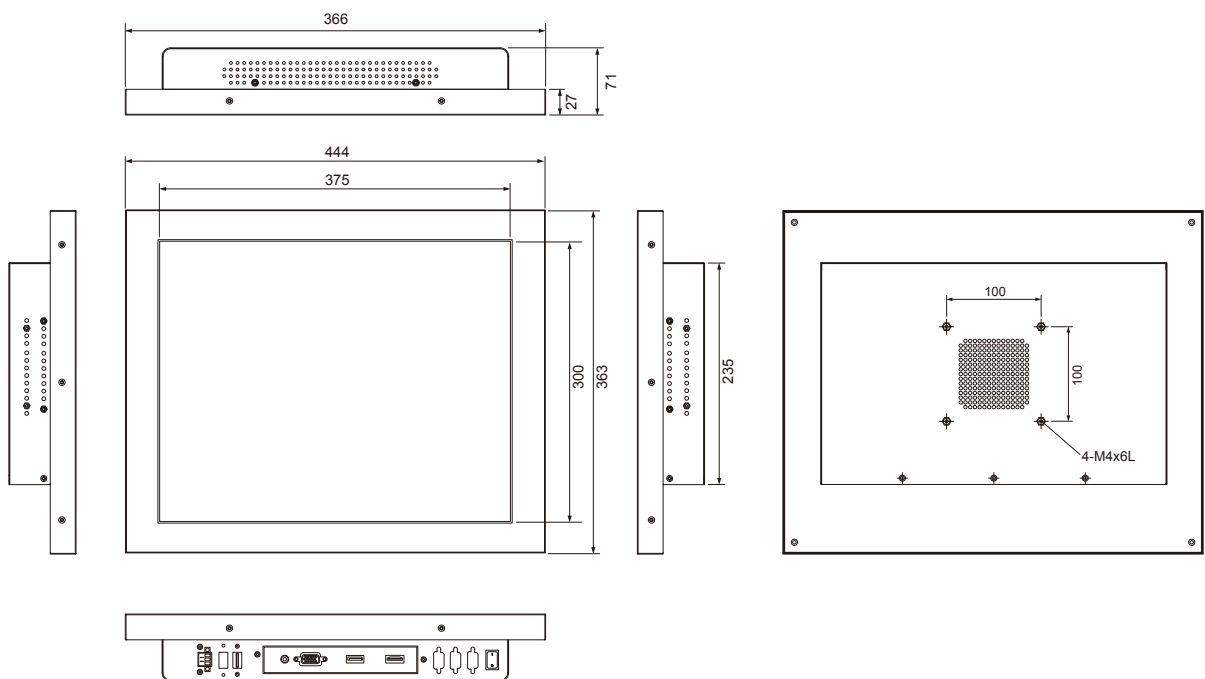
MM170RS04



MM190RS03



MM190RS04



**Specifications are subject to change without notice.*