

21.5", 24" Front IP65 Full Steel Chassis Touch Monitor



Features

- Fanless and rugged design
- Resolution 1920 x 1080 dpi
- Full steel chassis design
- Front IP65 waterproof solution
- 5 Wires Resistive touch solution
- VESA mount

Specifications

Model No.	MM215RS03	MM215RS04	MM240RS03	MM240RS04
DISPLAY				
Size	21.5" TFT (16:9)		24" TFT (16:9)	
Resolution	1920 x 1080		1920 x 1080	
Colors	16.7 M		16.7 M	
Luminance	300 cd/m2		250 cd/m2	
Contrast Ratio	3000:1		1000:1	
View Angle (H/V)	178°/178°		173°/165°	
HIGH BRIGHTNESS (OPTIONAL)				
Resolution	1920 x 1080		1920 x 1080	
Colors	16.2M		16.7M	
Luminance	1000 cd/m2		1000 cd/m2	
Contrast Ratio	2000 : 1		1000 : 1	
Viewing Angle (H/V)	176°/176°		170°/165°	
I/O PORTS				
VGA	✓	✓	✓	✓
DVI	✓		✓	
HDMI		✓		✓
DP		✓		✓
USB (for touch screen)	✓	✓	✓	✓
POWER REQUIREMENT				
Power Requirement	DC in 12V (60W)			
TOUCH SCREEN				
Touch Screen	5 Wires Resistive (one touch)			
OS SUPPORT				
OS support	Win Pro 10 / Embedded Win 7, 8, 10			
MECHANICAL & ENVIRONMENTAL				
Operation Temp.	0 ~ 45°C			
Storage Humidity	10 ~ 90%, non-condensing			
Mounting	VESA mount (100X100mm)			
Dimension (WxHxD)	578 x 372 x 71 mm		593 x 371 x 71 mm	
Weight	TBD		TBD	
OPTIONAL				
P/N: 2320000001	Optical Bonding			
P/N: 3080108001	HDMI 2M cable			
P/N: 3080109001	DP 2M cable			
P/N: 3120600002	RS232 touch screen			
P/N: 309M106004	DC in 9V ~ 36V			

ORDERING INFORMATION

STANDARD

MM215RS03	21.5" full steel chassis display, 5W resistive, 1 x VGA , 1 x DVI, 1 x USB, 1 x 1.8M VGA cable, 1 x 1.8M USB cable, DC in power adapter
MM215RS04	21.5" full steel chassis display, 5W resistive, 1 x VGA , 1 x DP, 1 x HDMI, 1 x 1.8M VGA cable, 1 x 1.8M USB cable, DC in power adapter
MM240RS03	24" full steel chassis display, 5W resistive, 1 x VGA , 1 x DVI, 1 x USB, 1 x 1.8M VGA cable, 1 x 1.8M USB cable, DC in power adapter
MM240RS04	24" full steel chassis display, 5W resistive, 1 x VGA , 1 x DP, 1 x HDMI, 1 x 1.8M VGA cable, 1 x 1.8M USB cable, DC in power adapter

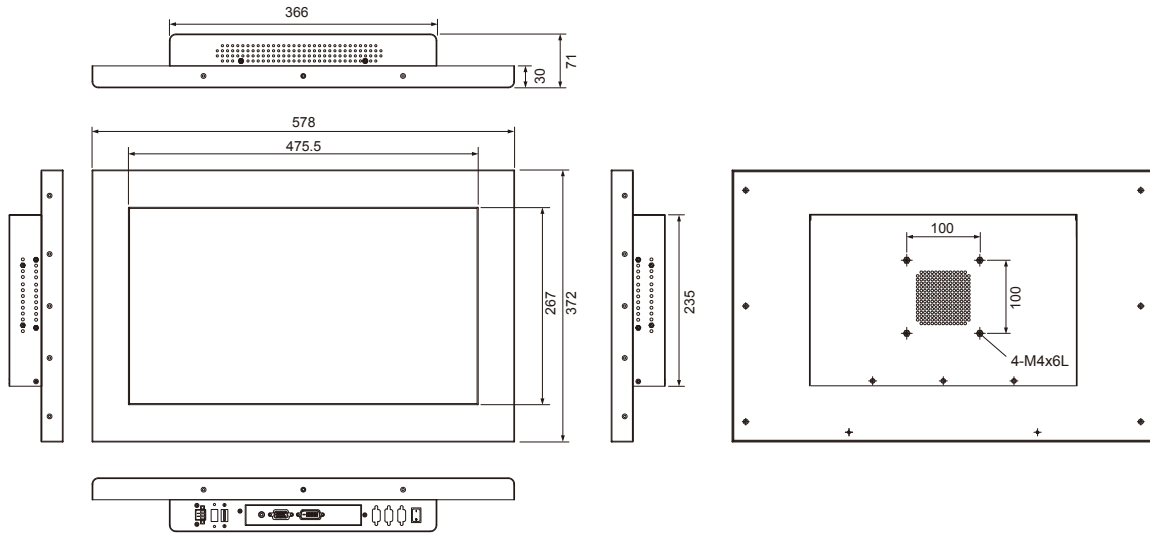
HIGH BRIGHTNESS

MM215RJ03	21.5" full steel chassis display, 5W resistive, 1 x VGA , 1 x DVI, 1 x USB, 1 x 1.8M VGA cable, 1 x 1.8M USB cable, DC in power adapter, 1000 cd/m2
MM215RJ04	21.5" full steel chassis display, 5W resistive, 1 x VGA , 1 x DP, 1 x HDMI, 1 x 1.8M VGA cable, 1 x 1.8M USB cable, DC in power adapter, 1000 cd/m2
MM240RJ04	24" full steel chassis display, 5W resistive, 1 x VGA , 1 x DVI, 1 x USB, 1 x 1.8M VGA cable, 1 x 1.8M USB cable, DC in power adapter, 1000 cd/m2
MM240RJ03	24" full steel chassis display, 5W resistive, 1 x VGA , 1 x DP, 1 x HDMI, 1 x 1.8M VGA cable, 1 x 1.8M USB cable, DC in power adapter, 1000 cd/m2

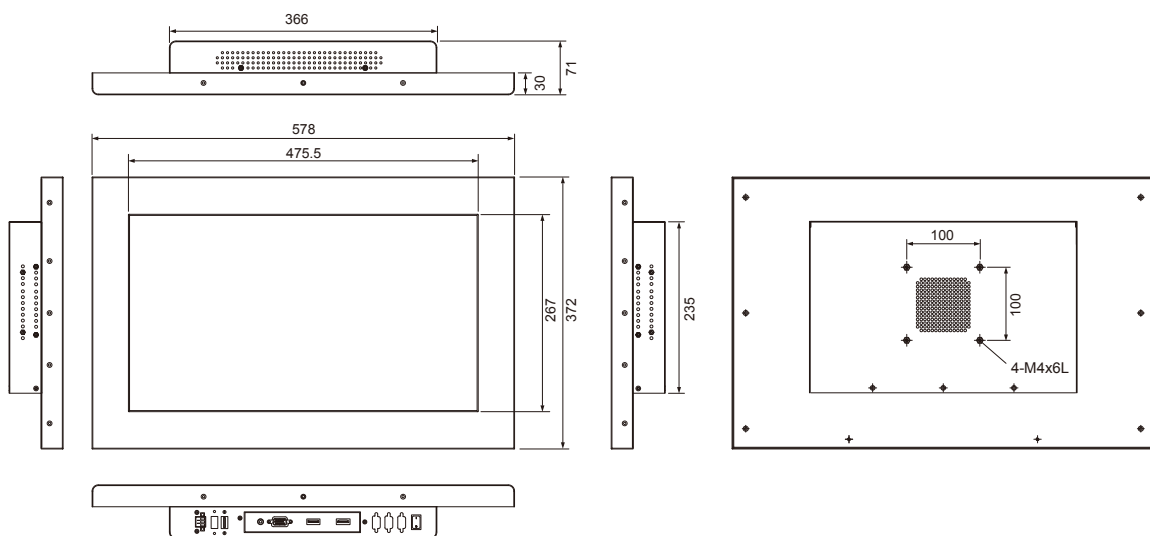
Dimensions

Unit : mm

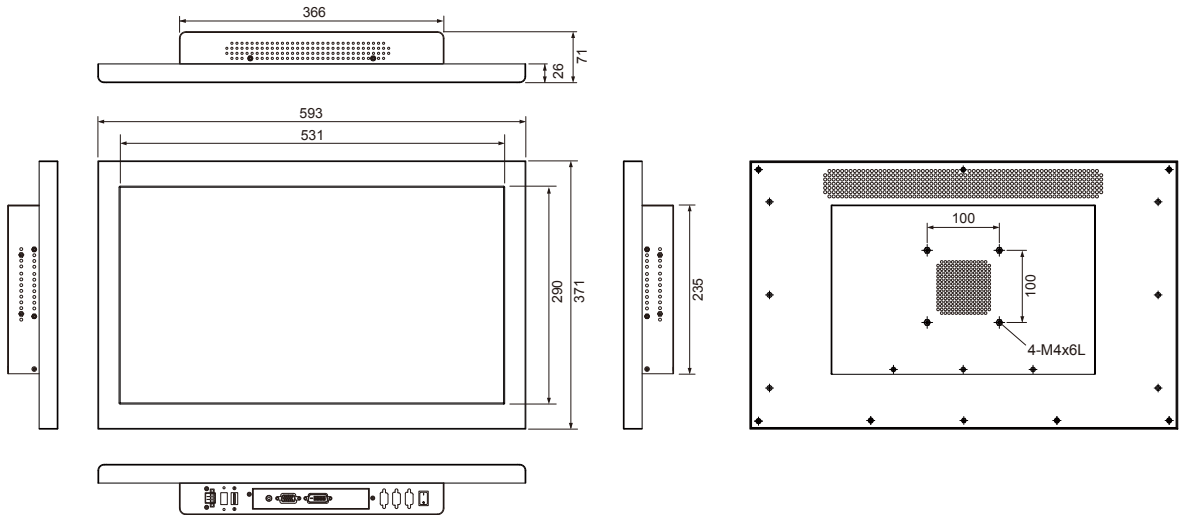
MM215RS03



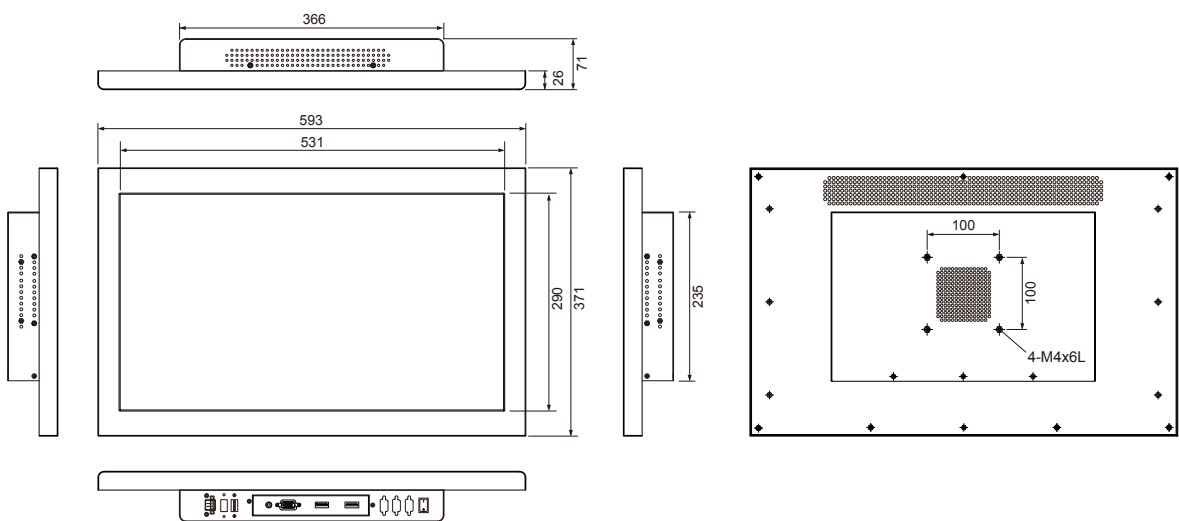
MM215PS04



MM240RS03



MM240RS04



**Specifications are subject to change without notice.*