

## 21.5" Front IP65 Full Steel Chassis Touch Monitor

### Features

- Fanless and rugged design
- Wide temperature : -20~ 50°C
- Resolution 1920 x 1080 dpi
- Front IP65 bezel full steel chassis design
- 5 Wires Resistive touch solution
- VESA mount



### Specifications

| Model No.                | MM215RW03                     | MM215RW04 |
|--------------------------|-------------------------------|-----------|
| <b>Display</b>           |                               |           |
| Size                     | 21.5" TFT (16:9)              |           |
| Resolution               | 1920 x 1080 dpi               |           |
| Colors                   | 16.7M                         |           |
| Luminance                | 350nit                        |           |
| Contrast Ratio           | 1000 : 1                      |           |
| View Angle (H/V)         | 178° / 178°                   |           |
| <b>Optional HB Panel</b> |                               |           |
| Resolution               | 1920 x 1080 dpi               |           |
| Color                    | 16.7M                         |           |
| Luminance                | 1000 nit                      |           |
| Contrast Ratio           | 1000 : 1                      |           |
| Viewing Angle (H/V)      | 178° / 178°                   |           |
| <b>I/O Ports</b>         |                               |           |
| VGA                      | V                             | V         |
| DVI                      | V                             |           |
| HDMI                     |                               | V         |
| DP                       |                               | V         |
| USB (for touch screen)   | V                             | V         |
| <b>Power Requirement</b> |                               |           |
| Power Requirement        | DC in 12V                     |           |
| <b>Touch Screen</b>      |                               |           |
| Touch Screen             | 5 Wires Resistive (one touch) |           |



| OS support   |   |
|--|---|
| OS support   | Win Pro 10 / Embedded Win 7, 8, 10  |
| Mechanical & Environmental                             |   |
| Operation Temp.  | -20°C ~ 50°C for MM215RW03 /MP215RW04<br>-20°C ~ 40°C for MM215RK03 1000nit 1500nit / MP215RK04 1000nit 1500nit   |
| Storage Humidity                                       | 10 ~ 90%, non-condensing  |
| Mounting   | VESA mount (100 x 100mm)  |
| Dimension (WxHxD)                                      | 578 x 372 x 71 mm   |
| Weight   | TBD   |
| Optional   |   |
| P/N: 302A17005A  | 1500 cd/m <sup>2</sup> High Brightness 21.5" LCD panel 1920 x 1080 dpi  |
| P/N: 2320000001  | Optical Bonding   |
| P/N: 3080108001  | HDMI 2M cable   |
| P/N: 3080109001  | DP 2M cable   |
| P/N: 3120600002  | RS232 touch screen  |
| Ordering Information                                   |   |
| Standard   |   |
| MM215RW03  | 21.5" Wide temp full steel chassis display, 5W resistive, 1 x VGA, 1 x DVI, 1 x USB, 1 x 1.8M VGA cable, 1 x 1.8M USB cable, DC in power adapter          |
| MM215RW04  | 21.5" Wide temp full steel chassis display, 5W resistive, 1 x VGA, 1 x DP, 1 x HDMI, 1 x 1.8M VGA cable, 1 x 1.8M USB cable, DC in power adapter          |
| High Brightness  |   |
| MM215RK03  | 21.5" Wide temp full steel chassis display, 5W resistive, 1 x VGA, 1 x DVI, 1 x USB, 1 x 1.8M VGA cable, 1 x 1.8M USB cable, DC in power adapter, 1000nit |
| MM215RK04  | 21.5" Wide temp full steel chassis display, 5W resistive, 1 x VGA, 1 x DP, 1 x HDMI, 1 x 1.8M VGA cable, 1 x 1.8M USB cable, DC in power adapter, 1000nit |
| **Specifications are subject to change without notice. |   |



**Kingdy Technology Inc.**

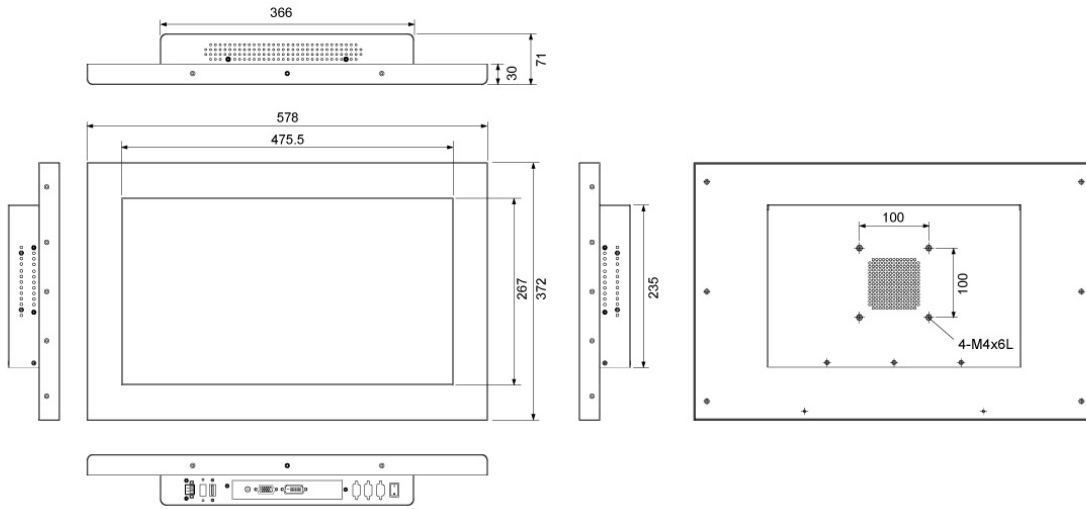
No. 8, Ln. 25, Zhongban Rd., Zhonghe Dist., New Taipei City 23556, Taiwan

Tel : +886-2-3234-6288 Fax : +886-2-3234-3199 E-mail : [sales@kingdy.com.tw](mailto:sales@kingdy.com.tw) [www.kingdy.com.tw](http://www.kingdy.com.tw)



**MM215RW03**

Unit : mm



**MM215RW04**

Unit : mm

