

## 10.4", 12.1" Front IP65 Silver Aluminum Touch Monitor



### Features

- Fanless and rugged design
- Wide temperature : -20~ 60°C
- 5 Wires Resistive touch solution
- IP65 Silver aluminum front bezel
- Resolution 1024 x 768
- VESA mount & Panel mount & Clip mount



### Specifications

Model No.	SM105RW03	SM105RW04	SM122RW03	SM122RW04
<b>DISPLAY</b>				
Size	10.4" TFT (4:3)		12.1" TFT (4:3)	
Resolution	1024 x 768		1024 x 768	
Colors	16.7M		16.7M	
Luminance	350 cd/m2		350 cd/m2	
Contrast Ratio	900 : 1		800 : 1	
View Angle (H/V)	150°/150°		160°/160°	
<b>HIGH BRIGHTNESS (OPTIONAL)</b>				
Resolution	1024 x 768		1024 x 768	
Colors	16.7M		16.7M	
Luminance	1000 cd/m2		1000 cd/m2	
Contrast Ratio	900 : 1		800 : 1	
Viewing Angle (H/V)	150°/150°		160°/160°	
<b>I/O PORTS</b>				
VGA	V	V	V	V
DVI	V		V	
HDMI		V		V
DP		V		V
USB (for touch screen)	V	V	V	V
<b>POWER REQUIREMENT</b>				
Power Requirement	DC in 12V ( 60W )			
<b>TOUCH SCREEN</b>				
Touch Screen	5 Wires Resistive (one touch)			
<b>OS SUPPORT</b>				
OS support	Win Pro 7.8.1, 10 / embedded Win 7, 8, 10			
<b>MECHANICAL &amp; ENVIRONMENTAL</b>				
Operation Temp.	-20~ 60°C			
Storage Humidity	10 ~ 90%, non-condensing			
Mounting	VESA mount ( 75 x 75 mm ) & Panel mount & Clip mount			
Dimension (WxHxD)	302 x 224 x 71 mm		350 x 264 x 70 mm	
Weight	TBD		TBD	
<b>OPTIONAL</b>				
P/N: 302A17005A	1600 cd/m2 10.4" LCD panel 1024 x 768			
P/N: 302A17005A	1600 cd/m2 12.1" LCD panel 1280 x 1024			
P/N: 2320000001	Optical Bonding			
P/N: 3080108001	HMDI 2m cable			
P/N: 3080109001	DP 2m cable			
P/N: 239SP17002	8pcs x Clips			
P/N: 3120600002	RS232 touch screen			
P/N: 3011100020	Waterproof sponge			

## ORDERING INFORMATION

### STANDARD

<b>SM105RW03</b>	10.4" wide temperature display, 5W resistive, 1 x VGA, 1 x DVI, 1 x USB, 1 x 1.8m VGA cable, 1 x 1.8m USB cable, DC in power adapter
<b>SM105RW04</b>	10.4" wide temperature display, 5W resistive, 1 x VGA, 1 x DP, 1 x HDMI, 1 x USB, 1 x 1.8m VGA cable, 1 x 1.8m USB cable, DC in power adapter
<b>SM122RW03</b>	12.1" wide temperature display, 5W resistive, 1 x VGA, 1 x DVI, 1 x USB, 1 x 1.8m VGA cable, 1 x 1.8m USB cable, DC in power adapter
<b>SM122RW04</b>	12.1" wide temperature display, 5W resistive, 1 x VGA, 1 x DP, 1 x HDMI, 1 x USB, 1 x 1.8m VGA cable, 1 x 1.8m USB cable, DC in power adapter

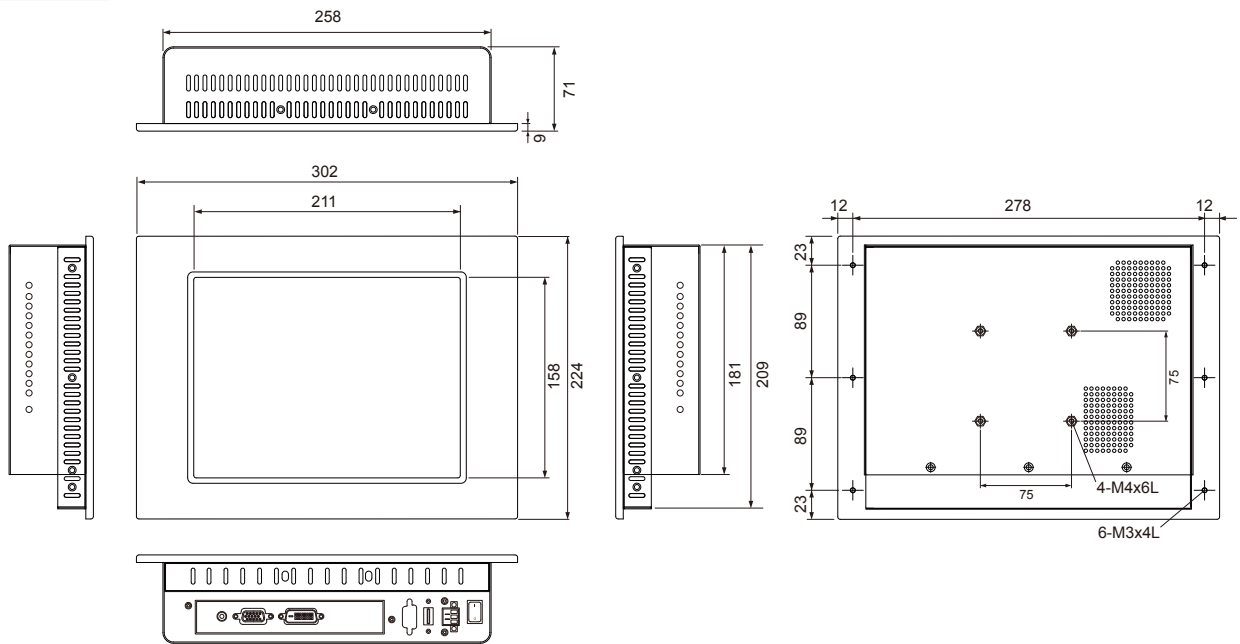
### HIGH BRIGHTNESS

<b>SM105RK03</b>	10.4" wide temperature display, 5W resistive, 1 x VGA, 1 x DVI, 1 x USB, 1 x 1.8m VGA cable, 1 x 1.8m USB cable, DC in power adapter, <b>1000 cd/m2</b>
<b>SM105RK04</b>	10.4" wide temperature display, 5W resistive, 1 x VGA, 1 x DP, 1 x HDMI, 1 x USB, 1 x 1.8m VGA cable, 1 x 1.8m USB cable, DC in power adapter, <b>1000 cd/m2</b>
<b>SM122RK03</b>	12.1" wide temperature display, 5W resistive, 1 x VGA, 1 x DVI, 1 x USB, 1 x 1.8m VGA cable, 1 x 1.8m USB cable, DC in power adapter, <b>1000 cd/m2</b>
<b>SM122RK04</b>	12.1" wide temperature display, 5W resistive, 1 x VGA, 1 x DP, 1 x HDMI, 1 x USB, 1 x 1.8m VGA cable, 1 x 1.8m USB cable, DC in power adapter, <b>1000 cd/m2</b>

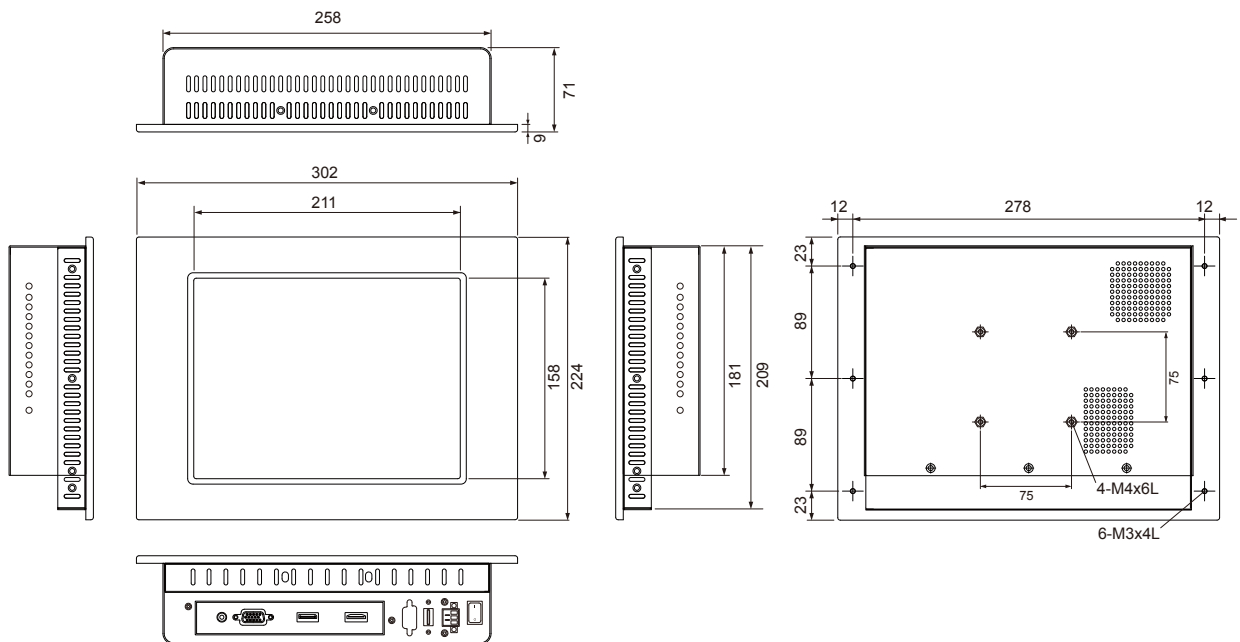
## Dimensions

Unit : mm

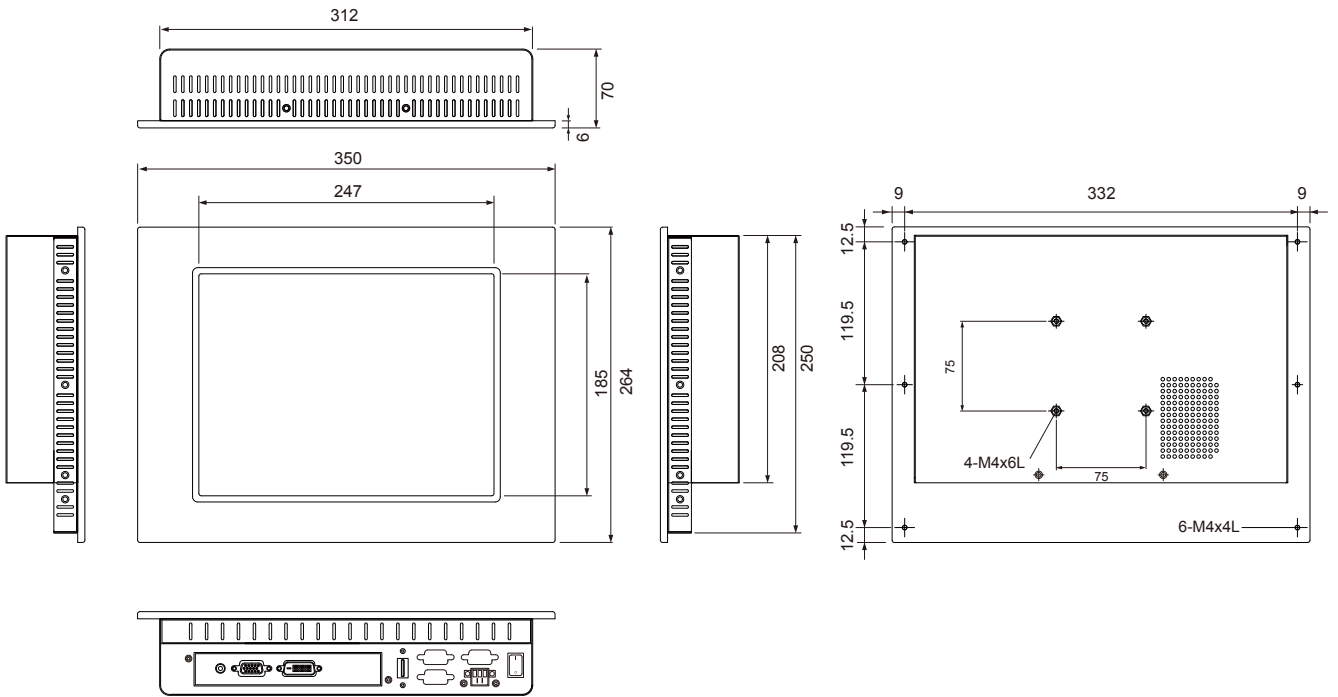
### SM105RW03



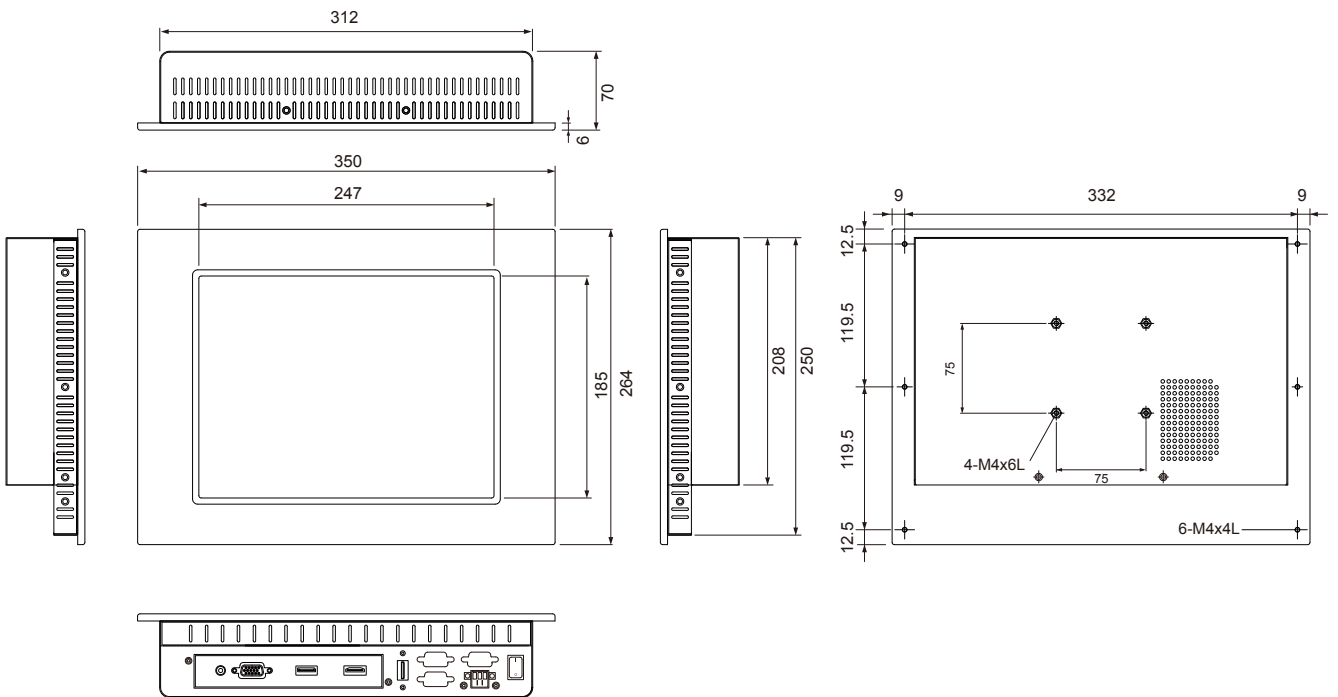
### SM105RW04



**SM122RW03**



**SM122RW04**



*\*Specifications are subject to change without notice.*