

21.5" Front IP65 Silver Aluminum Touch Monitor

Features

- Fanless and rugged design
- Wide temperature: -20 ~ 60°C
- 5 Wires Resistive touch solution
- IP65 Silver aluminum front bezel
- Resolution 1920 x 1080 dpi
- VESA mount & Panel mount & Clip mount



Specifications

Model No.	SM215RW03	SM215RW04
Display		
Size	21.5" TFT (16:9)	
Resolution	1920 x 1080 dpi	
Colors	16.7M	
Luminance	350nit	
Contrast Ratio	1000 : 1	
View Angle (H/V)	178° / 178°	
High brightness (Optional)		
Resolution	1920 x 1080 dpi	
Color	16.7M	
Luminance	1000nit	
Contrast Ratio	1000 : 1	
Viewing Angle (H/V)	178° / 178°	
I/O Ports		
VGA	V	V
DVI	V	
HDMI		V
DP		V
USB (for touch screen)	V	V
Power Requirement		
Power Requirement	DC in 12V	
Touch Screen		
Touch Screen	5 Wires Resistive (one touch)	



OS support	
OS support	Win Pro 7.8.1,10 / embedded Win 7, 8, 10
Mechanical & Environmental	
Operation Temp.	-20 ~ 60°C
Storage Humidity	10 ~ 90%, non-condensing
Mounting	VESA mount (100 x 100mm) & Panel mount & Clip mount
Dimension (WxHxD)	581 x 337 x 74 mm
Weight	7.2 kg
Optional	
P/N: 2320000001	Optical Bonding
P/N: 3080108001	HMDI 2M cable
P/N: 3080109001	DP 2M cable
P/N: 239SP17002	10pcs x Clips
P/N: 3120600002	RS232 touch screen
P/N: 3011100020	Waterproof sponge
P/N: 309M106004	DC in 9V ~ 36V
P/N: 302A17005A	1500nit high brightness 21.5" LCD panel 1920 x 1080 dpi
Ordering Information	
SM215RW03	21.5" wide temperature display, 5W resistive, 1 x VGA, 1 x DVI, 1 x USB, 1 x 1.8M VGA cable, 1 x 1.8M USB cable, DC in power adapter
SM215RW04	21.5" wide temperature display, 5W resistive, 1 x VGA, 1 x DP, 1 x HDMI, 1 x USB, 1 x 1.8M VGA cable, 1 x 1.8M USB cable, DC in power adapter
SM215RK03	21.5" wide temperature display, 5W resistive, 1 x VGA, 1 x DVI, 1 x USB, 1 x 1.8M VGA cable, 1 x 1.8M USB cable, DC in power adapter, 1000nit.
SM215RK04	21.5" wide temperature display, 5W resistive, 1 x VGA, 1 x DP, 1 x HDMI, 1 x USB, 1 x 1.8M VGA cable, 1 x 1.8M USB cable, DC in power adapter, 1000nit
**Specifications are subject to change without notice.	



Kingdy Technology Inc.

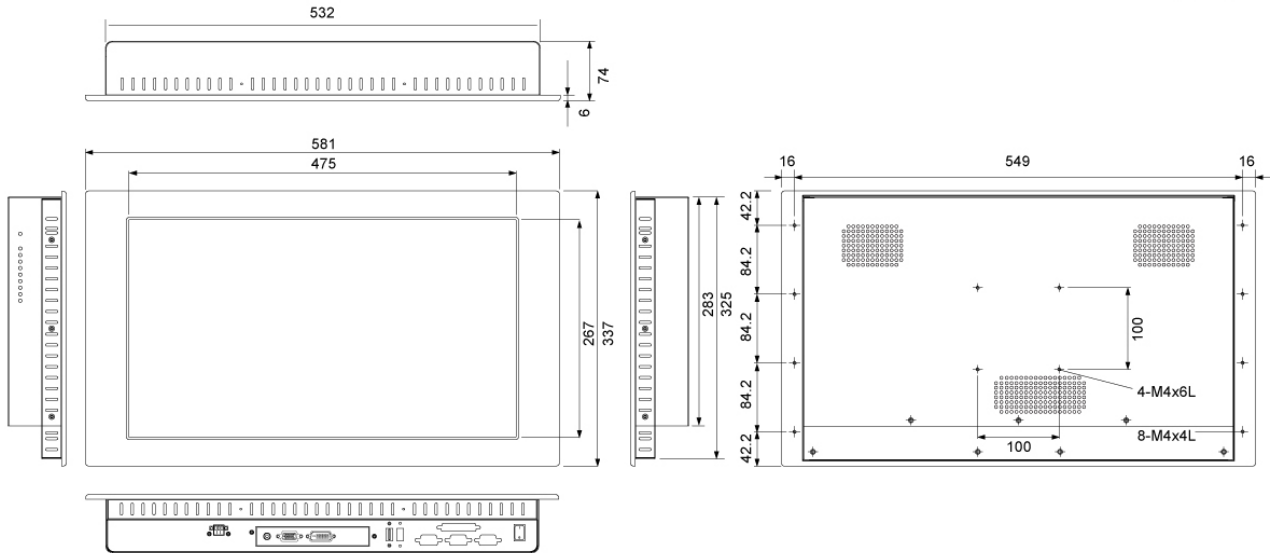
No. 8, Ln. 25, Zhongban Rd., Zhonghe Dist., New Taipei City 23556, Taiwan

Tel : +886-2-3234-6288 Fax : +886-2-3234-3199 E-mail : sales@kingdy.com.tw www.kingdy.com.tw



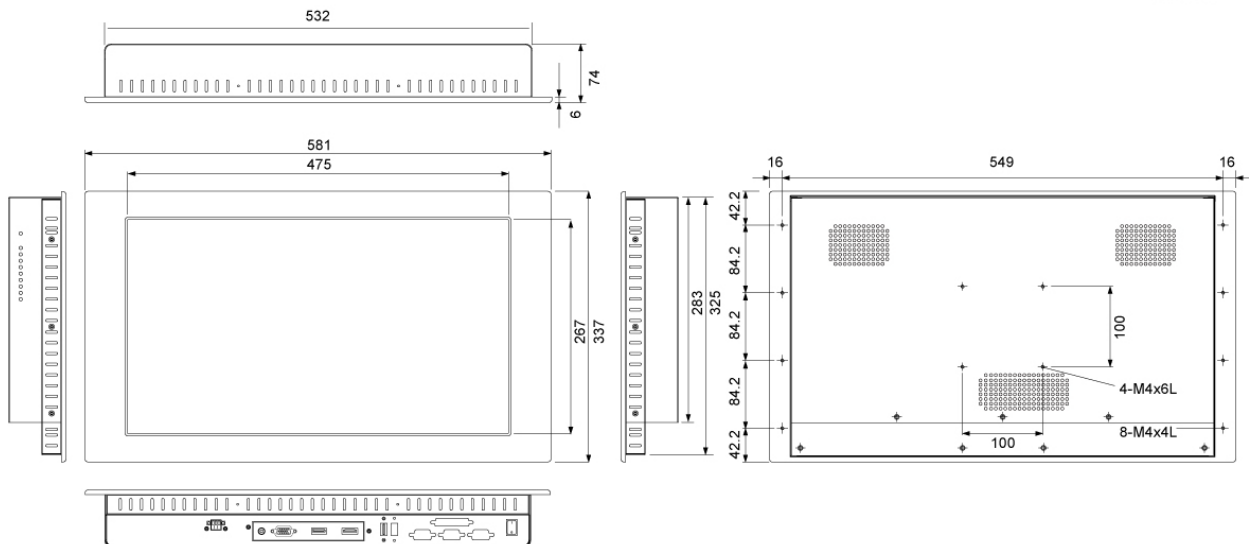
Dimension
SM215RW03

Unit : mm



SM215RW04

Unit : mm



Kingdy Technology Inc.

No. 8, Ln. 25, Zhongban Rd., Zhonghe Dist., New Taipei City 23556, Taiwan

Tel : +886-2-3234-6288 Fax : +886-2-3234-3199 E-mail : sales@kingdy.com.tw www.kingdy.com.tw

