

10.4", 12.1" Front IP66 Silver Aluminum Touch Monitor

Features

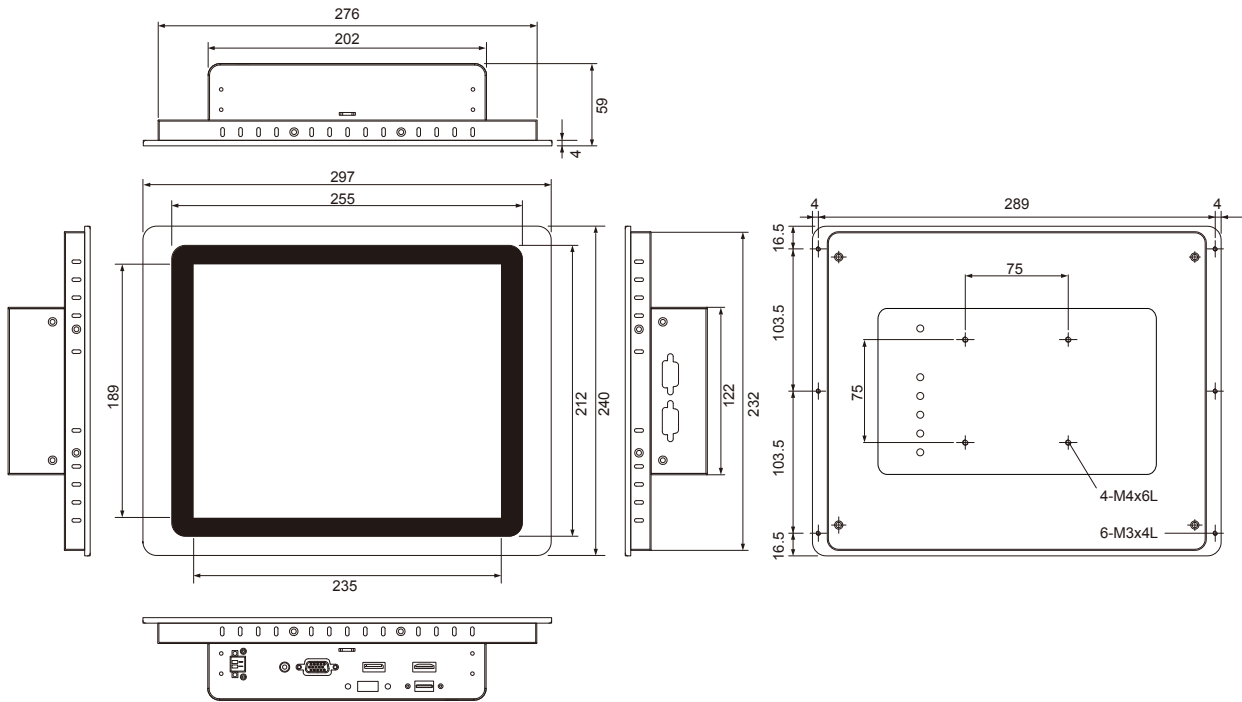
- Fanless and rugged design
- True Flat PCT / 5 Wires Resistive touch solution
- Resolution 1024 x 768
- IP66 Silver aluminum front bezel
- VESA mount & Panel mount & Clip mount



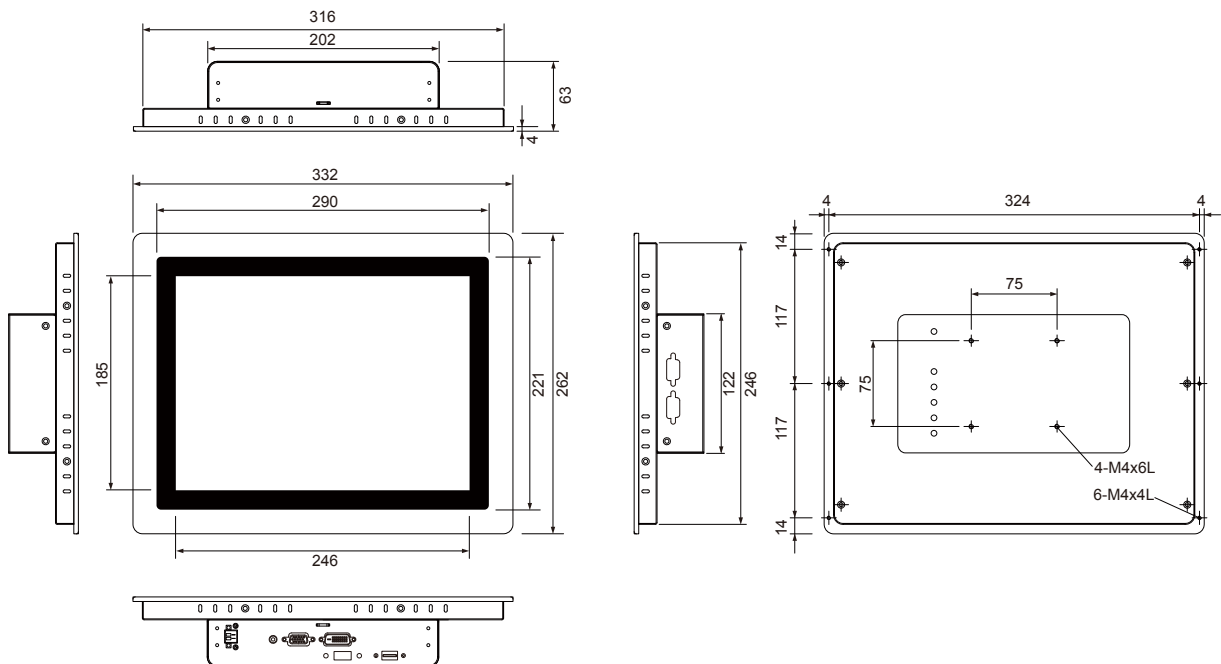
Specifications

Model No.	TM105PS03	TM105RS03	TM105PS04	TM105RS04	TM122PS03	TM122RS03	TM122PS04	TM122RS04
DISPLAY								
Size	10.4" TFT (4:3)				12.1" TFT (4:3)			
Resolution	1024 x 768				1024 x 768			
Colors	16.7M				16.7M			
Luminance	350 cd/m2				350 cd/m2			
Contrast Ratio	900 : 1				800 : 1			
View Angle (H/V)	150°/150°				160°/160°			
HIGH BRIGHTNESS (OPTIONAL)								
Resolution	1024 x 768				1024 x 768			
Colors	16.7M				16.7M			
Luminance	1000 cd/m2				1000 cd/m2			
Contrast Ratio	900 : 1				800 : 1			
Viewing Angle (H/V)	150°/150°				160°/160°			
I/O PORTS								
VGA	V		V		V		V	
DVI	V				V			
HDMI			V				V	
DP			V				V	
USB (for touch screen)	V		V		V		V	
POWER REQUIREMENT								
Power Requirement	DC in 12V (60W)							
TOUCH SCREEN								
Touch Screen	PCT	5W(one touch)	PCT	5W(one touch)	PCT	5W(one touch)	PCT	5W(one touch)
OS SUPPORT								
OS support	Win Pro 10 / Embedded Win 7, 8, 10 / Win 10 IoT							
MECHANICAL & ENVIRONMENTAL								
Operation Temp.	0 ~ 45°C							
Storage Humidity	10 ~ 90%, non-condensing							
Mounting	VESA mount (75 x 75 mm) & Panel mount & Clip mount							
Dimension (WxHxD)	297 x 240 x 59 mm				332 x 262 x 63 mm			
Weight	TBD				TBD			
OPTIONAL								
P/N: 2320000001	Optical Bonding							
P/N: 3080108001	HMDI 2m cable							
P/N: 3080109001	DP 2m cable							
P/N: 239SP17002	8pcs x Clips							
P/N: 3011100020	Waterproof sponge							

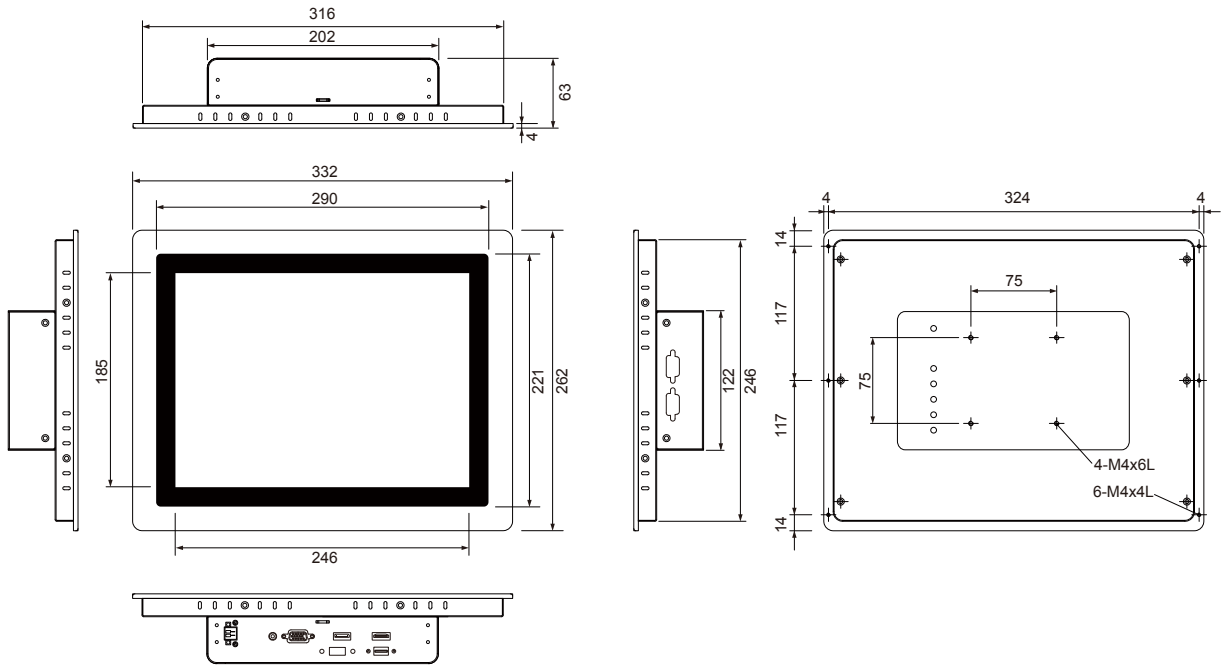
TM105PS04, TM105RS04



TM122PS03, TM122RS03



TM122PS04, TM122RS04



**Specifications are subject to change without notice.*