

15.6" Front IP66 Silver Aluminum Touch Monitor



Features

- Fanless and rugged design
- True Flat PCT touch solution
- Resolution 1366 x 768 / 1920 x 1080
- IP66 Silver aluminum front bezel
- VESA mount & Panel mount & Clip mount

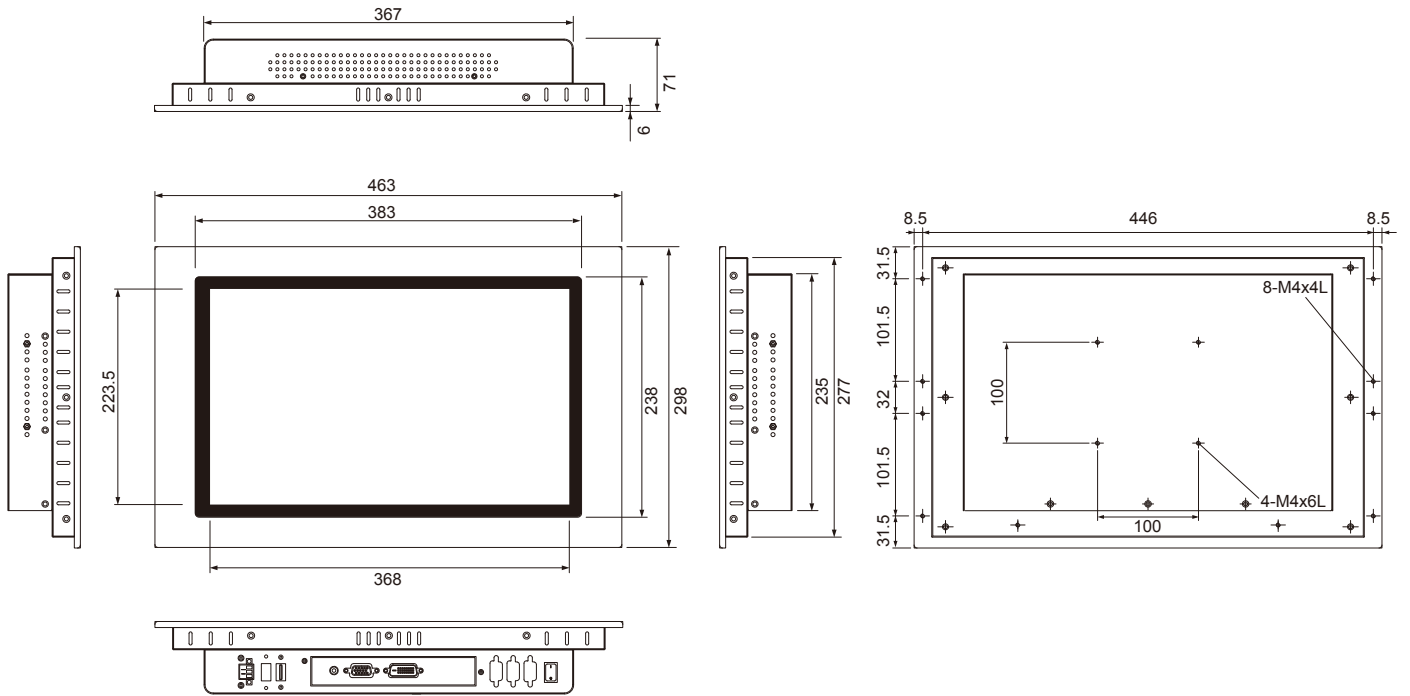
Specifications

Model No.	TM156PS03	TM156PS04	TM157PS03	TM157PS04
DISPLAY				
Size	15.6" TFT (16:9)			
Resolution	1366 x 768		1920 x 1080	
Colors	16.7M		16.2M	
Luminance	300 cd/m2		400 cd/m2	
Contrast Ratio	500 : 1		500 : 1	
View Angle (H/V)	170°/165°		140°/120°	
I/O PORTS				
VGA	V	V	V	V
DVI	V		V	
HDMI		V		V
DP		V		V
USB (for touch screen)	V	V	V	V
POWER REQUIREMENT				
Power Requirement	DC in 12V (60W)			
TOUCH SCREEN				
Touch Screen	True Flat PCT touch			
OS SUPPORT				
OS support	Win Pro 10 / Embedded Win 7, 8, 10 / Win 10 IoT			
MECHANICAL & ENVIRONMENTAL				
Operation Temp.	0 ~ 45°C			
Storage Humidity	10 ~ 90%, non-condensing			
Mounting	VESA mount (100X100mm) & Panel mount & Clip mount			
Dimension (WxHxD)	463 x 298 x 71 mm			
Weight	TBD			
OPTIONAL				
P/N: 2320000001	Optical Bonding			
P/N: 3080108001	HDMI 2m cable			
P/N: 3080109001	DP 2m cable			
P/N: 239SP17002	10pcs x Clips			
P/N: 3011100020	Waterproof sponge			

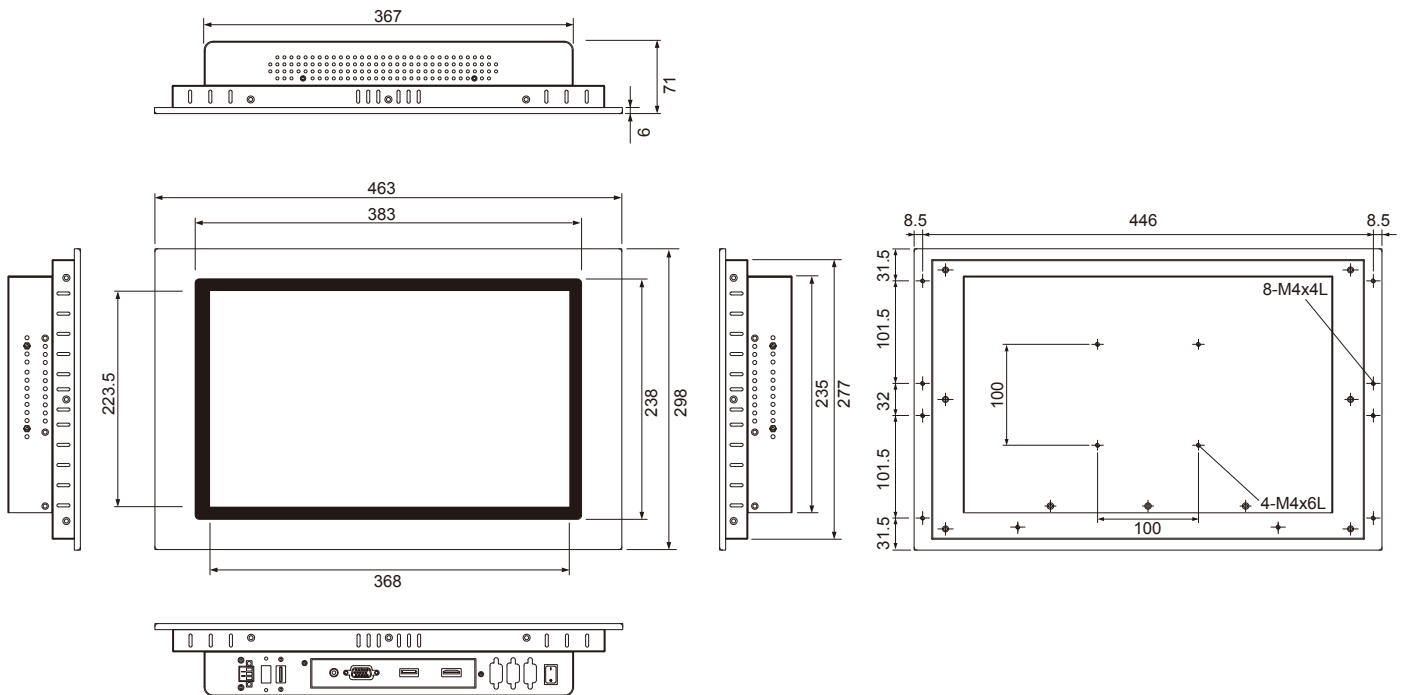
ORDERING INFORMATION

TM156PS03	15.6" display, true flat PCT, 1366 x 768 dpi, 1 x VGA, 1 x DVI, 1 x USB, 1 x 1.8m VGA cable, 1 x 1.8m USB cable, DC in power adapter
TM156PS04	15.6" display, true flat PCT, 1366 x 768 dpi, 1 x VGA, 1 x DP, 1 x HDMI, 1 x USB, 1 x 1.8m VGA cable, 1 x 1.8m USB cable, DC in power adapter
TM157PS03	15.6" display, true flat PCT, 1920 x 1080 dpi, 1 x VGA, 1 x DVI, 1 x USB, 1 x 1.8m VGA cable, 1 x 1.8m USB cable, DC in power adapter
TM157PS04	15.6" display, true flat PCT, 1920 x 1080 dpi, 1 x VGA, 1 x DP, 1 x HDMI, 1 x USB, 1 x 1.8m VGA cable, 1 x 1.8m USB cable, DC in power adapter

TM156PS03, TM157PS03



TM156PS04, TM157PS04



*Specifications are subject to change without notice.