

## 15", 17", 19" 6 Sides Full IP65 Stainless Touch Monitor



### Features

- Fanless and rugged design
- 5 Wires Resistive touch solution
- Resolution 1024 x 768 / 1280 x 1024
- Full 304 IP65 6 sides stainless chassis
- VESA mount & Yoke mount



### Specifications

Model No.	WM150RS03	WM150RS04	WM170RS03	WM170RS04	WM190RS03	WM190RS04
<b>DISPLAY</b>						
Size	15" TFT (4:3)		17" TFT (4:3)		19" TFT (4:3)	
Resolution	1024 x 768		1280 x 1024		1280 x 1024	
Colors	16.2M		16.2M		16.7M	
Luminance	300 cd/m2		350 cd/m2		250 cd/m2	
Contrast Ratio	2000:1		1000:1		1000:1	
View Angle (H/V)	176°/176°		170°/160°		170°/160°	
<b>HIGH BRIGHTNESS (OPTIONAL)</b>						
Resolution	1024 x 768		1280 x 1024		1280 x 1024	
Colors	16.2M		16.7M		16.7M	
Luminance	1000 cd/m2		1000 cd/m2		1000 cd/m2	
Contrast Ratio	2000 : 1		1000 : 1		1000 : 1	
Viewing Angle (H/V)	176°/176°		170°/165°		170°/160°	
<b>I/O PORTS</b>						
VGA	V	V	V	V	V	V
HDMI		V		V		V
USB (for touch screen)	V	V	V	V	V	V
<b>POWER REQUIREMENT</b>						
Power Requirement	DC in 12V ( 60W )					
<b>TOUCH SCREEN</b>						
Touch Screen	5 Wires Resistive (one touch)					
<b>OS SUPPORT</b>						
OS support	Win Pro 10 / Embedded Win 7, 8, 10					
<b>MECHANICAL &amp; ENVIRONMENTAL</b>						
Operation Temp.	0 ~ 45°C					
Storage Humidity	10 ~ 90%, non-condensing					
Mounting	VESA mount (100X100mm) & Yoke mount					
Dimension (WxHxD)	379 x 289 x 58 mm		425 x 361 x 68 mm		455 x 367 x 67 mm	
Weight	5.2 kg		7.9 kg		8.8 kg	
<b>OPTIONAL</b>						
P/N: 302A170051	1600 cd/m2 15" LCD panel 1024 x 768					
P/N: 302A170051	1600 cd/m2 17" LCD panel 1280 x 1024					
P/N: 302A190091	1600 cd/m2 19" LCD panel 1280 x 1024					
P/N: 2351206003	Full IP65 Waterproof Power adaptor with European power cord ( 60W / 90 ~ 295V AC input / 12V DC output)					
P/N: 2352406011	Full IP65 Waterproof Power adaptor with European power cord (60W / 90 ~ 295V AC input / 24V DC output)					
P/N: 2351206004	Full IP65 Waterproof Power adaptor with US power cord ( 60W / 90 ~ 295V AC input / 12V DC output)					
P/N: 2352406012	Full IP65 Waterproof Power adaptor with US power cord (60W / 90 ~ 295V AC input / 24V DC output)					
P/N: 2320000001	Optical Bonding					
P/N: 309M106004	DC in 9V ~ 36V					
P/N: 3120600002	RS232 touch screen					

## ORDERING INFORMATION

### STANDARD

<b>WM150RS03</b>	15" full IP65 display, 5 wires resistive, 1 x VGA, 1 x USB, 1 x 1.8m VGA cable, 1 x 1.8m USB cable, 1 x DC in external power adapter
<b>WM150RS04</b>	15" full IP65 display, 5 wires resistive, 1 x VGA, 1 x HDMI, 1 x USB, 1 x 1.8m VGA cable, 1 x 2m HDMI cable, 1 x 1.8m USB cable, 1 x DC in external power adapter
<b>WM170RS03</b>	17" full IP65 display, 5 wires resistive, 1 x VGA, 1 x USB, 1 x 1.8m VGA cable, 1 x 1.8m USB cable, 1 x DC in external power adapter
<b>WM170RS04</b>	17" full IP65 display, 5 wires resistive, 1 x VGA, 1 x HDMI, 1 x USB, 1 x 1.8m VGA cable, 1 x 2m HDMI cable, 1 x 1.8m USB cable, 1 x DC in external power adapter
<b>WM190RS03</b>	19" full IP65 display, 5 wires resistive, 1 x VGA, 1 x USB, 1 x 1.8m VGA cable, 1 x 1.8m USB cable, 1 x DC in external power adapter
<b>WM190RS04</b>	19" full IP65 display, 5 wires resistive, 1 x VGA, 1 x HDMI, 1 x USB, 1 x 1.8m VGA cable, 1 x 2m HDMI cable, 1 x 1.8m USB cable, 1 x DC in external power adapter

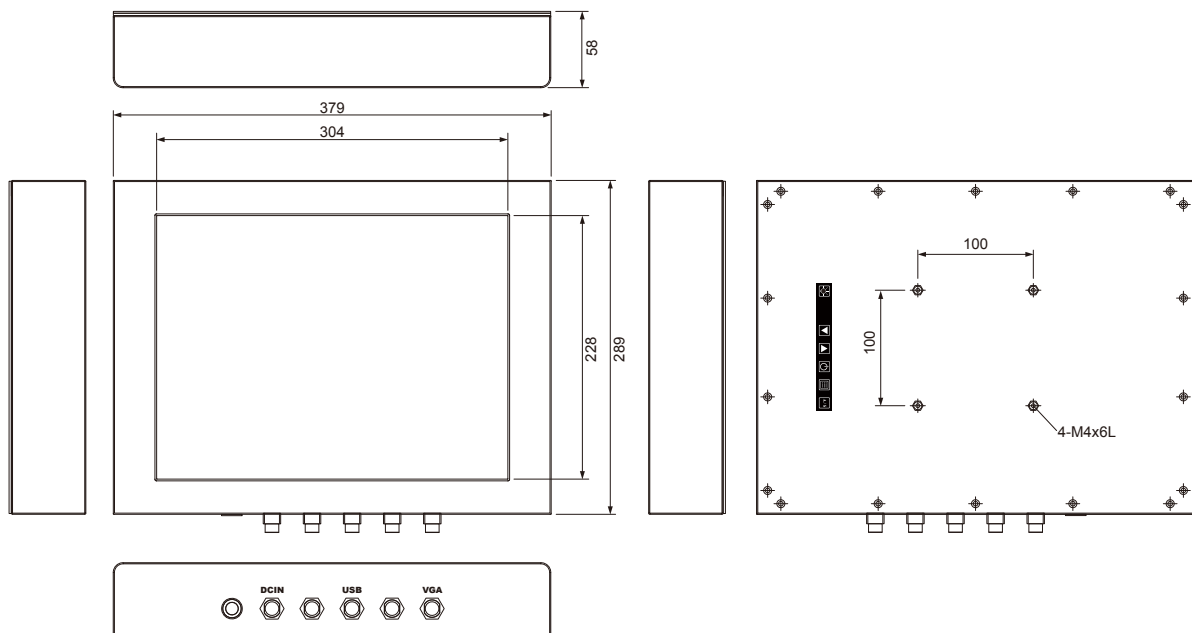
### HIGH BRIGHTNESS

<b>WM150RJ03</b>	15" full IP65 display, 5 wires resistive, 1 x VGA, 1 x USB, 1 x 1.8m VGA cable, 1 x 1.8m USB cable, 1 x DC in external power adapter, 1000 cd/m <sup>2</sup>
<b>WM150RJ04</b>	15" full IP65 display, 5 wires resistive, 1 x VGA, 1 x HDMI, 1 x USB, 1 x 1.8m VGA cable, 1 x 2m HDMI cable, 1 x 1.8m USB cable, 1 x DC in external power adapter, 1000 cd/m <sup>2</sup>
<b>WM170RJ03</b>	17" full IP65 display, 5 wires resistive, 1 x VGA, 1 x USB, 1 x 1.8m VGA cable, 1 x 1.8m USB cable, 1 x DC in external power adapter, 1000 cd/m <sup>2</sup>
<b>WM170JS04</b>	17" full IP65 display, 5 wires resistive, 1 x VGA, 1 x HDMI, 1 x USB, 1 x 1.8m VGA cable, 1 x 2m HDMI cable, 1 x 1.8m USB cable, 1 x DC in external power adapter, 1000 cd/m <sup>2</sup>
<b>WM190RJ03</b>	19" full IP65 display, 5 wires resistive, 1 x VGA, 1 x USB, 1 x 1.8m VGA cable, 1 x 1.8m USB cable, 1 x DC in external power adapter, 1000 cd/m <sup>2</sup>
<b>WM190RJ04</b>	19" full IP65 display, 5 wires resistive, 1 x VGA, 1 x HDMI, 1 x USB, 1 x 1.8m VGA cable, 1 x 2m HDMI cable, 1 x 1.8m USB cable, 1 x DC in external power adapter. 1000 cd/m <sup>2</sup>

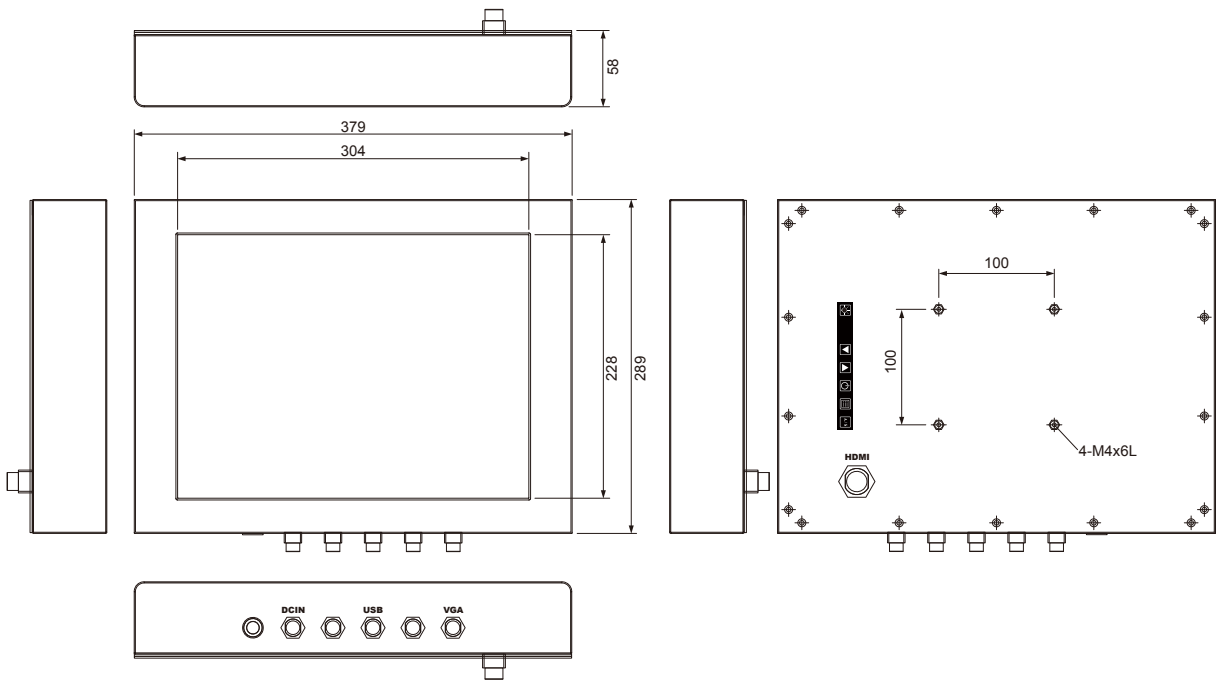
## Dimensions

Unit : mm

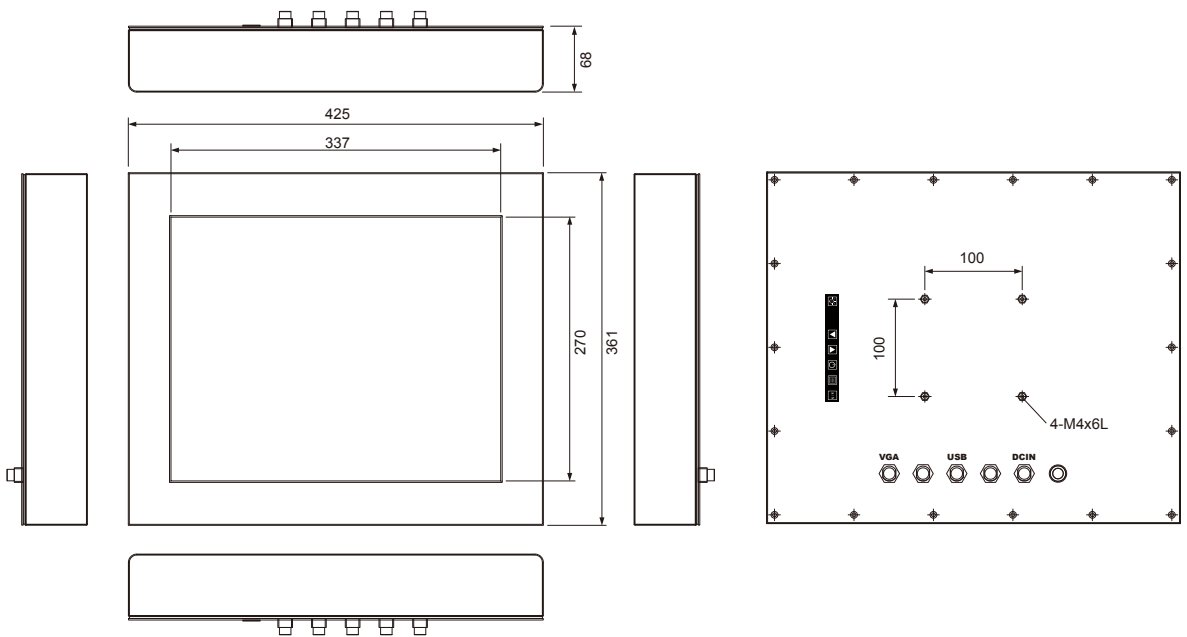
### WM150RS03



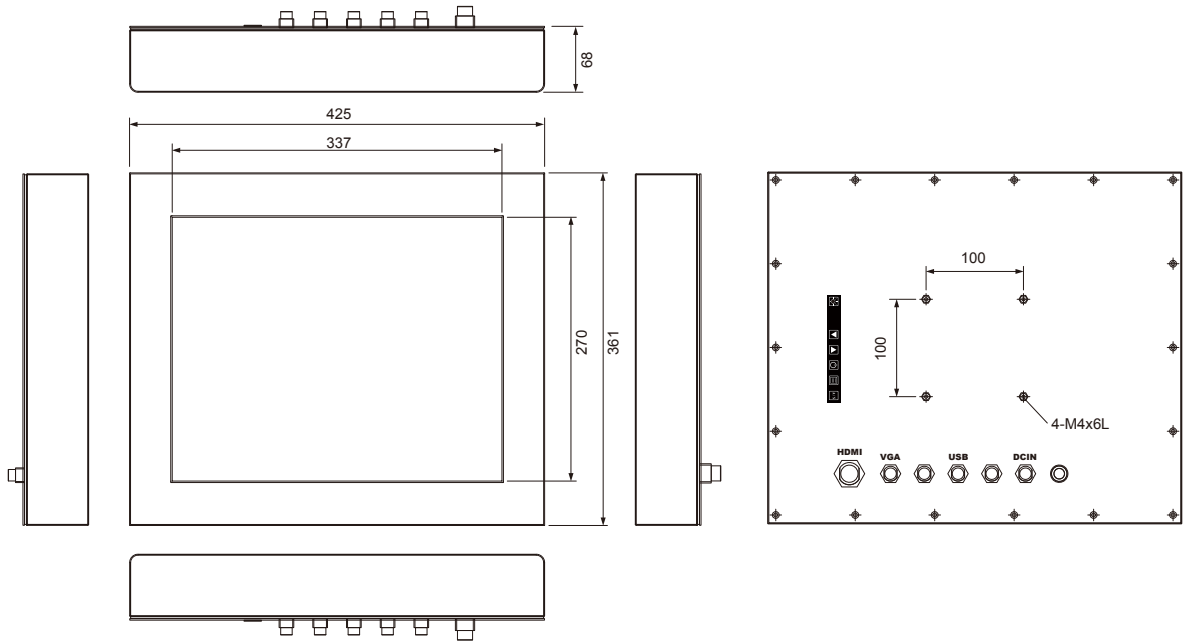
**WM150RS04**



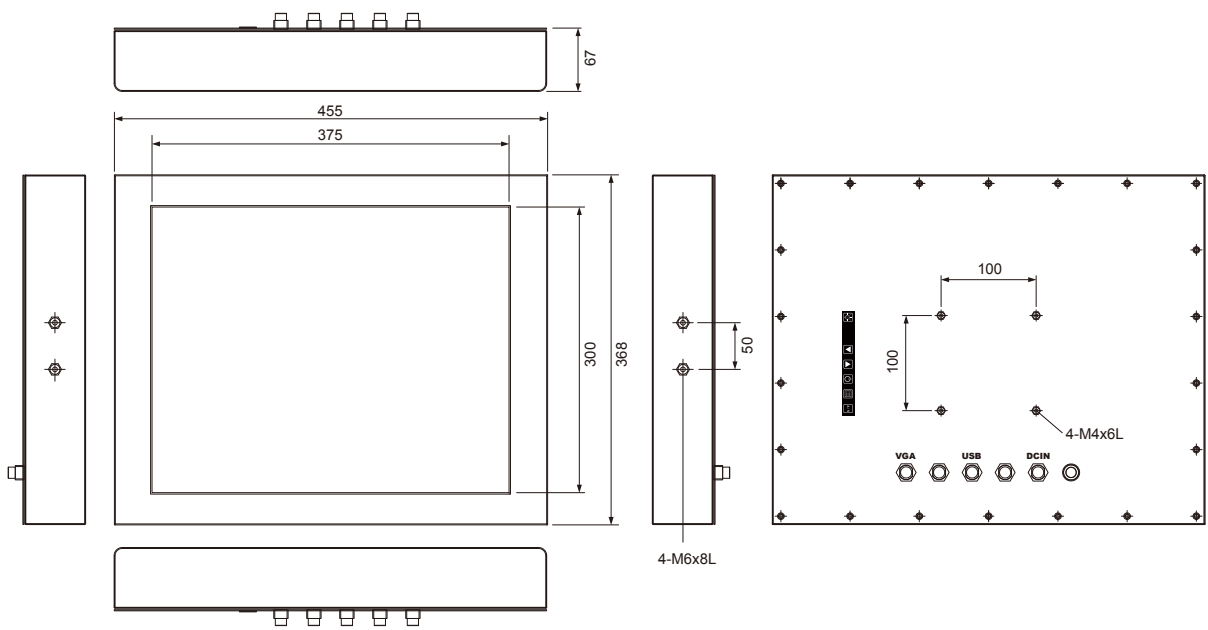
**WM170RS03**



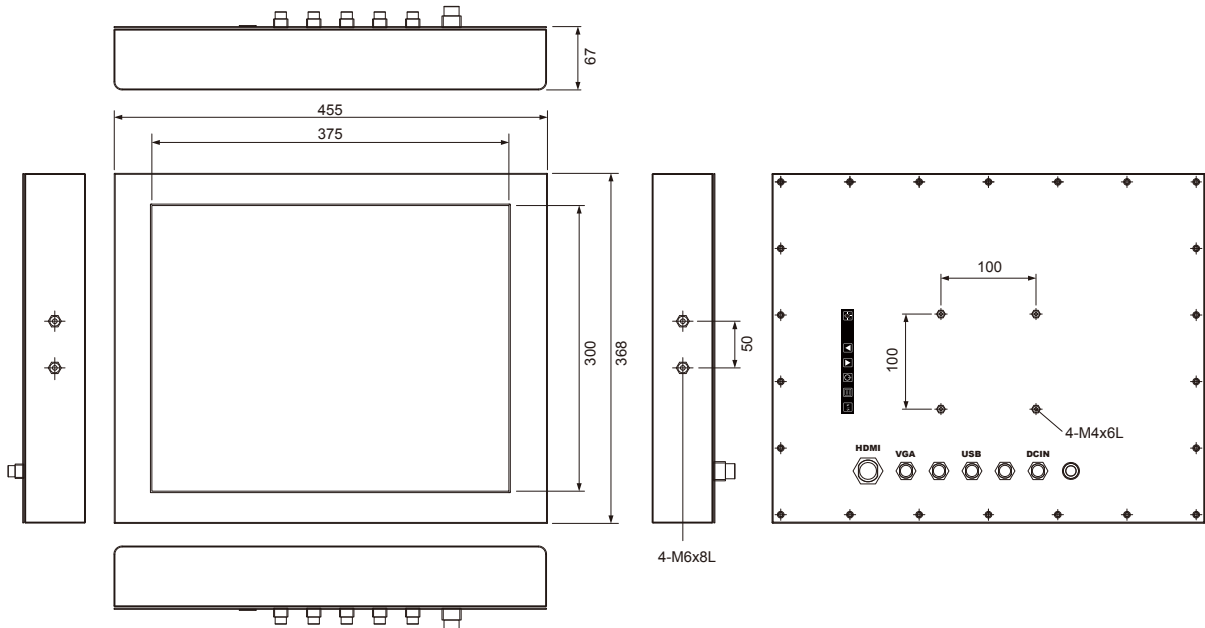
**WM170RS04**



**WM190RS03**



**WM190RS04**



*\*Specifications are subject to change without notice.*